



# East Hub Piloted Wheel Stud Chart

## Steel hub application

Press-fit Walther Engineering Long Studs (no serrations) 22MM



4 1/8"

3 1/2"

1/2"

Clipped collar



4 3/16"

3 1/2"

3/4"

### East # 521-05564-24

- Used 2013—Current
- On Walter hubs cast with 112 and 114
- Walter Stud # 02-00118

(short steel wheel stud reference stud # 02-00110)

### East # 521-05562-24

- Used 2000—2013
- On Walter hubs cast with 011 and 039
- Walter Stud # 02-00014

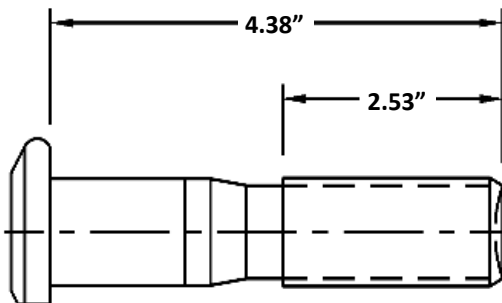
(short steel wheel stud reference stud # 02-00010)

## Aluminum hub application

(Current application)

Clipped Conmet Aluminum Hub Stud - M22 X 1.5MM

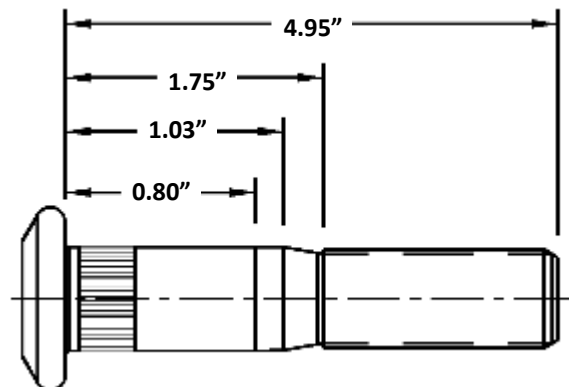
### East # 521-05014-00



Conmet # 101151

Serrated Conmet Long Stud - M22 X 1.5MM

### East # 521-05012-00



Conmet # 102190

East Manufacturing Corporation

1871 State Route 44

P.O. Box 277

Randolph, Ohio 44265

800-362-0851 | www.eastmfg.com