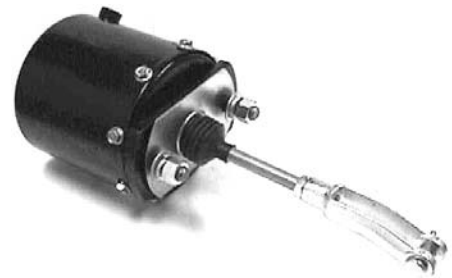
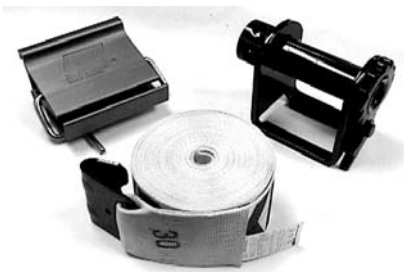




Manufacturing Corporation



HARDWARE PARTS CATALOG

Volume 1
Revised 05/12/2003

EAST HARDWARE CATALOG



East Manufacturing Corporation
(800) 362-0851 Toll Free
(330) 325-8235 Fax

The East Hardware Catalog, is an informational tool when identifying hardware parts on East Manufactured Trailers. An effort has been made to list parts in this catalog in relationship to the different commodity type trailers built by East Manufacturing as possible. If the part you seek does not appear in this catalog, please contact an East Manufacturing Distributor, and we make every effort to identify and supply the part to you.

Communication is an important part of East Aftermarket Parts Sales, if you have any comments or questions, please feel free to call us at 1-800-362-0851.

Building our business by helping you build yours



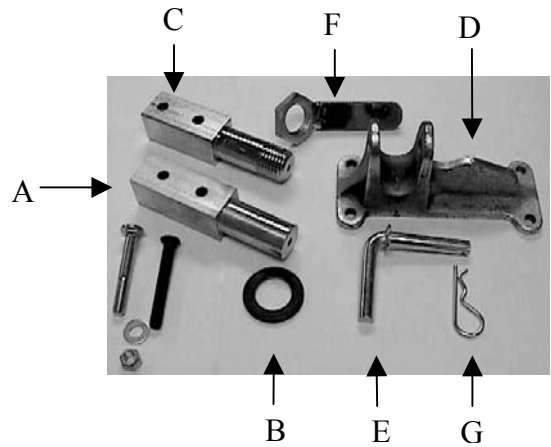
EAST HARDWARE
TABLE ON CONTENTS

ITEM	PAGE NUMBER
TAILGATE HARDWARE	2 - 5
BULKHEAD HARDWARE / HOIST HARDWARE	6
BODY HARDWARE	7
UNIQUE HARDWARE FOR FRAMELESS	8
UNIQUE HARDWARE FOR PLATFORM	9 - 10
UNIQUE HARDWARE FOR UNLOADER	11
MUD FLAPS	13
EAST HARDWARE KITS	14 - 22

ALUMINUM TAILGATE HARDWARE

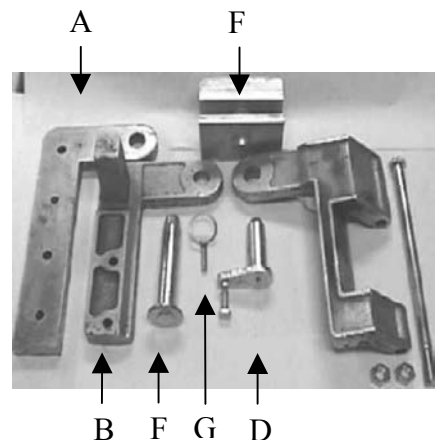
PART NO.	ITEM	STANDARD TOP HARDWARE
----------	------	-----------------------

- 566-05005-00 Standard Top Pin (item A)
- 545-05002-00 Weld On Washer For Top Tailgate Pin (item B)
- 566-05006-00 Standard Bottom Tailgate Pin
- 566-05007-00 Threaded Top Tailgate Pin (item C)
- 552-05002-00 Standard Top Hinge (item D)
- 566-15012-00 5/8" – 90 Degree Hinge Pin (item E)
- 044-20030-00 Nut & Handle Threaded Top Tailgate Pin (item F)
- 542-17040-08 1/2-13 x 4 Countersunk Bolt (bottom pin fastener)
- 044-10003-00 Tailgate Pin Stainless Shim
- 542-18040-08 1/2-13 x 4 Carriage Bolt (top pin fastener)
- 540-02000-08 1/2" Flat Washer
- 540-14000-08 1/2-13 Lock Nut
- 542-09032-03 Pin Safety Clip (item G)



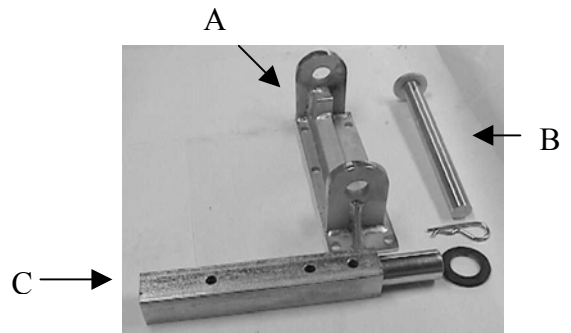
PART NO.	ITEM	OVERSLUNG HINGES
----------	------	------------------

- 553-05008-00 Old Style Overslung Hinge (item A)
- 553-05007-00 Old Style 45 Deg. Overslung Frameless
- 552-05008-02 Passenger Side Std. Overslung Hinge
- 552-05009-02 Driver Side Std. Overslung Hinge (item B)
- 552-05006-03 Pass. Side Two Way Side Swing Casting (item C)
- 552-05007-03 Driver Side Two Way Side Swing Casting
- 540-05150-12 3/4"-10 x 15 Grade 5 Bolt (pin on two way castings)
- 540-11000-12 3/4"-10 Hex Nut (two each per bolt to double lock)
- 566-05012-00 Overslung Hinge Pin (item D)
- 540-15015-08 1/2"-10 x 1 1/2" Fastener Bolt (overslung hinge pin)
- 557-05020-01 Overslung Hinge Block Extrusion (item E)
- 566-15013-00 Body Overslung Hinge Pin/Side Swing (item F)
- 044-20044-00 Lynch Safety Pin Clip Assembly (item G)



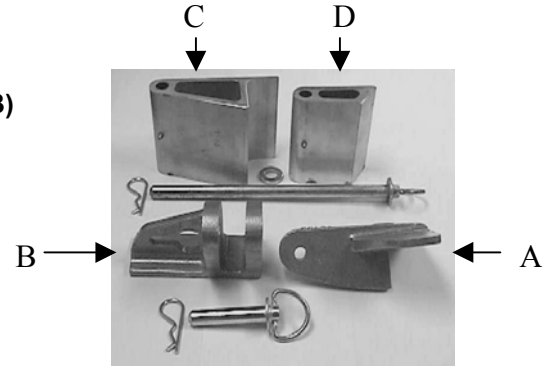
PART NO.	ITEM	SLIDING TOP HARDWARE
----------	------	----------------------

- 085-30006-00 Sliding Hardware Assembly (pass. side) (item A)
- 085-30007-00 Sliding Hardware Assembly (driver side)
- 085-20006-00 Sliding Hardware Pin (item B)
- 566-05010-00 Long Tailgate Top Pin (item C)
- 545-05002-00 Weld On Washer For Tailgate Pin
- 542-09032-03 Safety Pin Clip



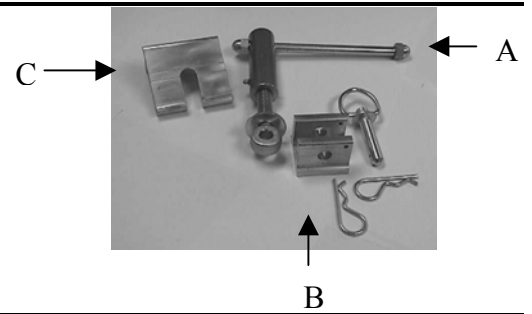
PART NO.	ITEM	SIDE SWING GATE HINGE
----------	------	-----------------------

- 558-05171-00 Cast Aluminum (Gate) Side Swing Hinge (item A)
- 558-05172-00 Cast Aluminum (Body) Pass. Side Swing Hinge (item B)
- 558-05173-00 Cast Aluminum (Body) Driver Side Swing Hinge
- 566-15010-00 3/4" Side Swing Pin
- 044-20031-00 Extruded Aluminum (Body) Side Swing Hinge (item C)
- 044-20032-00 Extruded Aluminum (Gate) Side Swing Hinge (item D)
- 566-15010-02 3/4" x 12" Hinge Pin (2 hinge on dump trailer)
- 566-15010-04 3/4" x 17 1/2" Hinge Pin (3 hinge on tipper/walker trailers)
- 542-09032-03 Pin Safety Clip
- 545-05016-00 Spacer Washer (extruded side swing)



PART NO.	ITEM	SAFETY WINDER
----------	------	---------------

- 566-15001-00 Safety Winder Only (item A)
- 557-05088-01 Winder Body Bracket (item B)
- 044-10168-00 Winder Gate Block (item C)
- 566-15011-01 Removable Winder Pin
- 542-9032-03 Pin Safety Clip



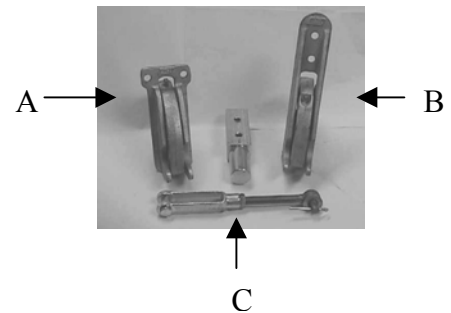
PART NO.	ITEM	COAL DOOR PARTS
----------	------	-----------------

- 044-20014-18 18" Coal Door Handle Assembly
- 044-20014-20 20" Coal Door Handle Assembly
- 044-20017-00 12" Coal Door Handle Assembly
- 044-30007-00 Coal Door Linkage Assembly
- 558-05125-00 Coal Door Linkage Mount
- 566-05033-00 1 1/8" Handle Bearing Block
- 564-05009-00 Rubber Handle Grip
- 044-20046-00 **New Style** Coal Door Handle Assembly (12"w coal door)
- 044-10191-00 **New Style** 1 1/8" Bearing Block (top half)
- 044-10192-00 **New Style** 1 1/8" Bearing Block (bottom half)
- 542-14015-06 3/8-16 x 1 1/2" Socket Cap Screw (stainless steel)







PART NO.	ITEM	LOWER TAILGATE HARDWARE
----------	------	-------------------------

- 552-25001-00 Hook & Latch Assembly (1968 to 1984) (item A)
- 552-25002-00 Hook & Latch Assembly (1984 to present) (item B)
- 099-30843-01 Hook & Latch Tailgate Linkage (item C)
- 553-05001-00 1 1/4" X 5/8" Tear Drop
- 566-05034-00 1 1/4" Aluminum Bearing Block
- 044-20040-00 Mid Mount Hook & Latch
- 566-05006-00 Standard Bottom Tailgate Pin



ALUMINUM TAILGATE HARDWARE

PART NO.	ITEM	TAILGATE ATTACHED PARTS
558-05127-00	8" Cast Aluminum Weld-On Step	
558-05130-00	10" Cast Aluminum Weld-On Step	
558-05105-00	Aluminum Cast Weld-On Hook	
044-20003-40	40" Spreader Chain	
044-20003-50	50" Spreader Chain	

PART NO.	ITEM	TAILGATE RELEASE CYLINDER
510-30801-00	Tailgate Air Release Cylinder with Clevis & Nuts (item A)	
041-10043-00	Bent 5/8" Long Clevis	
510-25955-00	Heavy Duty Air Release Cylinder (item B)	
540-01000-10	5/8" Hex Nut	
540-02000-10	5/8" Flat Washer	
540-03000-10	5/8" Lock Washer	
510-25019-31	MGM Tailgate Cylinder (1976 –1982) (item C)	
544-05210-10	Straight 5/8" Long Clevis	
510-25167-19	Tailgate Air Valve (frame)	
510-15440-13	Tailgate Air Valve (in cab)	
540-10101-10	5/8" Jam Nut (used on item 1 & 3)	
544-05500-10	5/8" Clevis Pin	

PART NO.	ITEM	WATERSEAL
564-05004-00	Old Style Water Seal Rubber (3 pcs per tailgate)	
564-05005-00	Molded Rubber Water Seal (1 length per tailgate)	

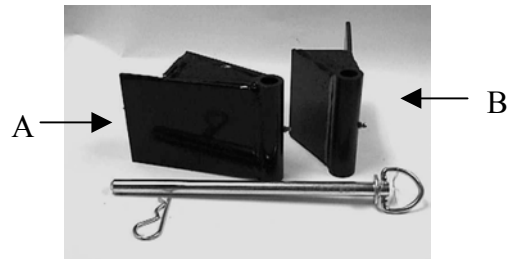
STEEL TAILGATE HARDWARE

PART NO.	ITEM	TOP HARDWARE
----------	------	--------------

- | | | |
|--------------|-------------------------------------|--|
| 054-30007-00 | Overslung Steel Hinge Block | |
| 553-05008-00 | Overslung Hinge | |
| 566-05012-00 | Overslung Hinge Pin | |
| 566-15013-00 | Overslung Hinge Pin (side swing) | |
| 552-05002-00 | Standard Top Hardware Hinge | |
| 566-15012-00 | 5/8" – 90 Degree Standard Hinge Pin | |
| 542-09032-03 | Pin Safety Clip | |
| 566-05003-00 | Threaded Top Tailgate Pin | |
| 566-05004-00 | Standard Top Tailgate Pin | |

PART NO.	ITEM	SIDE SWING HARDWARE
----------	------	---------------------

- | | | |
|--------------|--|--|
| 054-20016-00 | (New Style) Side Swing Hinge – Gate (item A) | |
| 054-20017-00 | (New Style) Side Swing Hinge – Body (item B) | |
| 566-15010-02 | 12" Side Swing Hinge Pin | |
| 542-09032-03 | Pin Safety Clip | |



PART NO.	ITEM	SAFETY WINDER
----------	------	---------------

- | | | |
|--------------|---|--|
| 566-15001-00 | Safety Winder Only (item A) | |
| 566-05075-00 | Steel Body Winder Bracket with Pin (item B) | |
| 553-05019-00 | Steel Body Winder Gate Block (item C) | |

(KIT NUMBER 099-30823-01)

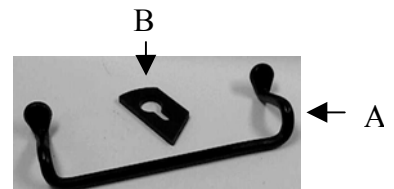


PART NO.	ITEM	COAL DOOR
----------	------	-----------

- | | | |
|--------------|--------------------------------------|--|
| 054-10005-00 | Coal Door Eyelet | |
| 054-30001-00 | Steel Body Coal Door Handle Assembly | |
| 044-30007-00 | Coal Door Linkage Assembly | |

PART NO.	ITEM	STEEL TAILGATE ATTACHED PARTS
----------	------	-------------------------------

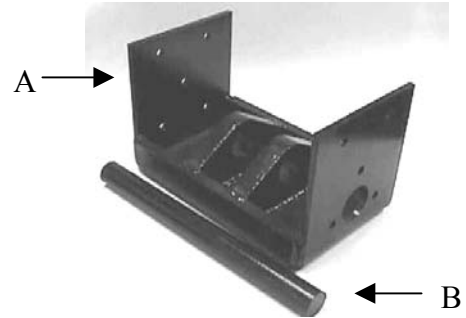
- | | | |
|--------------|----------------------------------|--|
| 546-05020-00 | Steel Forged Body Steps (item A) | |
| 553-05023-00 | Steel Chain Keyhole Lug (item B) | |
| 552-05010-00 | Steel Tarp Hook | |



BULKHEAD / HOIST HARDWARE

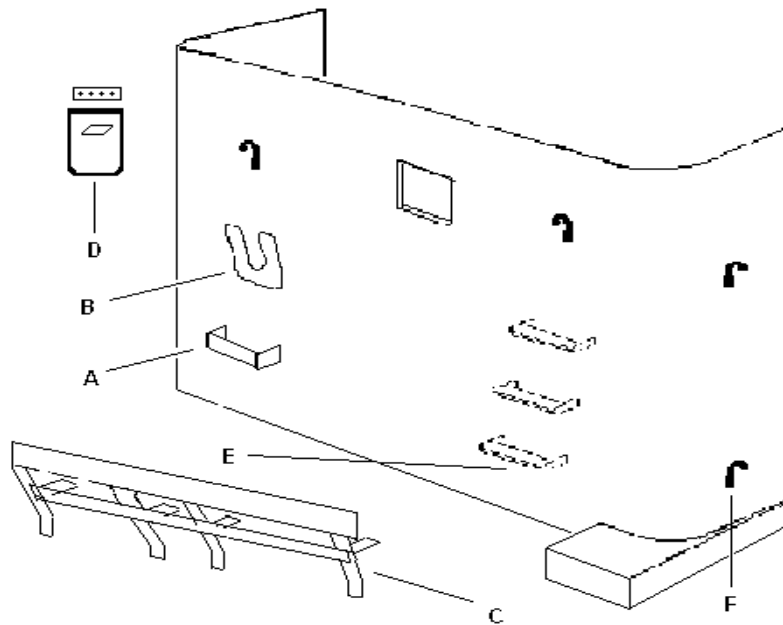
PART NO.	ITEM	HOIST HARDWARE
-----------------	-------------	-----------------------

- 043-30009-02** Top Hoist Mount A-frame Assembly (**item A**)
- 540-05020-08** 2" x 1/2" A-Frame Attaching Bolt (10 Required)
- 540-02000-08** 1/2" Flat Washer
- 540-04000-08** 1/2" Hex Crimped Lock Nut (10 Required)
- 554-05030-00** 13 7/8" x 2" Top Hoist Pin (**item B**)
- 554-05042-00** 20" x 2" Bottom Hoist Pin
- 545-05004-00** Hoist Pin Spacer Washer 1/8"
- 545-05013-00** Hoist Pin Spacer Washer 3/16"
- 545-05005-00** Hoist Pin Spacer Washer 1/4"
- 545-05006-00** Hoist Pin Spacer Washer 3/8"



PART NO.	ITEM	ATTACHED PARTS
-----------------	-------------	-----------------------

- 558-05103-00** Shovel Holder – Handle (**item A**)
- 558-05104-00** Shovel Holder – Double Ear (**item B**)
- 558-05105-00** Aluminum Cast Tarp Hook (**item F**)
- 043-30020-00** Standard Tarp Basket (**item C**)
- 567-05007-00** East Cast Bulkhead Weld On Logo 6 7/8" x 12 3/4"
- 558-05130-00** Weld On Cast Step 10" (**item E**)
- 532-05018-20** Hoist Inspection Rubber Flap 12" x 18" (**item D**)
- 043-10019-00** Hoist Inspection Flap Strap



BODY HARDWARE

PART NO. ITEM

528-15015-00 Body Latch Assembly
 041-10039-00 Body Latch Mounting Angle

528-05018-08 Standard Weld In King Pin (3/8" or 5/16" plate)
 528-05010-08 Weld in King Pin (1/2" plate)



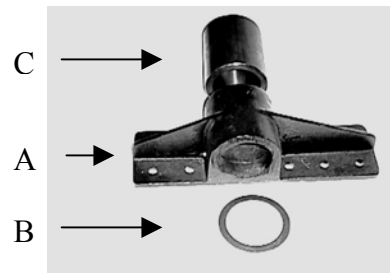
PART NO. ITEM QUIET RIDE PADS

566-05501-00 Quiet Ride Pad 6"
 566-05502-00 Quiet Ride Pad (small pad doghouse)
 566-05503-00 Quiet Ride Pad (long 14" pad doghouse)
 566-05504-00 Quiet Ride Pad (long 43 1/4")

PART NO. ITEM BODY HINGE PARTS

Dump Trailer

552-05001-00 Dump Shoe Hinge (**item A**)
 554-05094-00 53" Dump Hinge Pin
 566-05019-00 Hinge Pin Frame Bushing (2 3/4" ID x 5") (**item C**)
 545-05007-00 2 3/4" ID x 3/8" Thick Weld On Pin Washer (**item B**)
 540-05015-08 1/2" x 1 1/2" SAE Bolt (10 per dump shoe hinge)
 540-02000-08 1/2" Flat Washer
 540-03000-08 1/2" Lock Washer
 540-1000-08 1/2" Hex Nut



Straight Truck Body

552-05001-00 Dump Shoe Body Hinge
 545-05007-00 2 3/4" ID x 3/8" Thick Weld On Pin Washer
 085-30001-00 Straight Truck Rear Hinge Assembly (includes 46" hinge pin)
 085-10027-00 Rear Hinge Assembly Gusset (2 per hinge assy.)
 540-05015-08 1/2" x 1 1/2" SAE Bolt (10 per dump shoe)
 540-01000-08 1/2" - 20 Hex Nut
 540-02000-08 1/2" SAE Flat Washer
 540-03000-08 1/2" Lock Washer

Note: See Kit Page For Straight Truck Body Mounting Kits

UNIQUE TO FRAMELESS TRAILER

PART NO.	ITEM	UPPER COUPLER PARTS
080-30040-00	Upper Coupler Assembly	
080-20004-00	Stainless Steel Saddles (2 per coupler)	
080-10064-01	Upper Coupler Holder Lug for 16" Pin Setting	
080-10064-02	Upper Coupler Holder Lug for 19" Pin Setting	
080-20016-02	40 1/4" Bottom Coupler Pin	
554-05030-00	13 7/8" Top Hoist Pin	
043-30009-02	Top Hoist Mount A-Frame Assembly	
540-05020-08	2" x 1/2" A-Frame Attaching Bolt (10 Required)	
540-02000-08	1/2" Flat Washer	
540-04000-08	1/2" Hex Crimped Lock Nut (10 Required)	
545-05004-00	Hoist Pin Spacer Washer 1/8"	
545-05013-00	Hoist Pin Spacer Washer 3/16"	
545-05005-00	Hoist Pin Spacer Washer 1/4"	
545-05006-00	Hoist Pin Spacer Washer 3/8"	

PART NO.	ITEM	DRAFT ARM PARTS
554-05039-00	96" w Trailer Rear Draft Arm Pivot Pin	
554-05040-00	102" w Trailer Rear Draft Arm Pivot Pin	
566-05030-00	Rear Draft Arm Pivot Pin Bracket (Aluminum)	
080-20007-00	Rear Draft Arm Pivot Pin Steel Mount Plate	
080-30023-00	Pivot Bracket Aluminum Diamond Plate Cover	
080-30037-00	Pivot Bracket Alum. Diamond Plate Cover w/ Turn Signal Hole	
545-05005-00	Rear Draft Arm Pivot Pin Retainer Washer	
080-10036-00	Landing Gear Mounting Bracket Gusset (RH) (Steel)	
080-10037-00	Landing Gear Mounting Bracket Gusset (LH) (Steel)	
080-10053-00	Landing Gear Mounting Bracket Gusset (RH) (Aluminum)	
080-10054-00	Landing Gear Mounting Bracket Gusset (LH) (Aluminum)	
010-20019-00	Steel Draft Arm Landing Gear Mounting Bracket	
020-30001-00	Aluminum Draft Arm Landing Gear Mounting Bracket	
566-05052-03	Extruded Aluminum Draft Arm End Coupler	
566-05021-00	2 1/6" x 4 1/2" Steel Draft Arm End Coupler Bushing	
080-10019-00	Steel Draft Arm End Straps	

PART NO.	ITEM	DRAFT ARM PARTS (Lightweight Frameless)
080-20009-00	Rear Pivot Plate Assembly (Steel Plate & Bushing)	
080-20011-00	Rear Inner Pivot Bracket Assembly (Passenger Side)	
080-20011-01	Rear Inner Pivot Bracket Assembly (Driver Side)	
080-20014-00	Rear Outer Pivot Bracket Assembly	
545-05005-00	Pivot Pin Retainer Washer	
554-05039-00	Pivot Pin -91" (96" wide trailer) (old style)	
554-05133-00	2" x 10" CF Pin (new style)	
554-05040-00	Pivot Pin -97" (102" wide trailer) (old style)	
545-05011-00	1/4" Pivot Washer (new style)	

PART NO.	ITEM	MISC. ITEMS
099-30850-00	Stationary Fifthwheel Lock Kit (For Tractor Fifthwheel)	
099-30850-01	Sliding Fifthwheel Lock Kit (For Tractor Fifthwheel)	
	Note: see East Kit Page for breakdown & installation Lock Kit.	
553-05007-00	Overslung Hinge Burnout For Tapered Frameless Tailgate	

UNIQUE TO PLATFORM TRAILER

PART NO.	ITEM	TIE DOWN
----------	------	----------

090-20003-00	Weld On Tie Down Assembly (item A)	
--------------	------------------------------------	--

PART NO.	ITEM	TRAILER SIDE PARTS
----------	------	--------------------

558-05105-00	Cast Aluminum Weld on Tarp Hook	
558-05115-00	Cast Aluminum Weld on Rope Hook	
557-05051-02	3 15/16" Aluminum Stake Pocket	
559-05004-03	Pipe Spools	
557-05362-03	16' Length 1" Groove Flatbed Tarp Bar (1984 to 1995)	
557-05362-04	16' Length Wide Groove Tarp Bar (1995 to Current)	



PART NO.	ITEM	TRAILER REAR PARTS
----------	------	--------------------

564-05011-00	Hollow Rubber Bolt on Dock Bumper	
090-10124-00	Dock Bumper Backing Plate	
557-05134-00	96" Wide Trailer Bumper Extrusion	
557-05134-01	102" Wide Trailer Bumper Extrusion	
120-10027-00	Bump End Caps (2 per bumper)	
557-05146-00	96" Wide Trailer Bumper Reinforcement	
557-05146-01	102" Wide Trailer Bumper Reinforcement	
090-10020-01	Bumper Vertical Posts	
532-05336-20	38" Mud Flap	
041-10002-00	Mud Flap Strap	



PART NO.	ITEM	BULKHEAD PARTS
----------	------	----------------

564-05013-00	Bulkhead Bottom Weather Trim Seal (per ft)	
557-05089-01	Bulkhead Stake X 50 1/4" (48" Side Kit)	
557-05089-03	Bulkhead Stake X 62 1/2" (60" Side Kit)	
558-05105-00	Cast Aluminum Tarp Hook	
558-05115-00	Cast Aluminum Rope Hook	
558-05130-00	Cast Aluminum Weld on Step	

PART NO.	ITEM	DOLLIE PARTS
----------	------	--------------

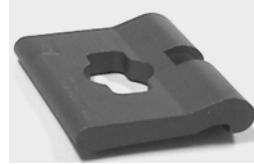
566-05047-00	Dollie Mount (1984 to 1992)	
090-10119-01	Dollie Mount Driver Side (1992 to Current)	
090-10119-02	Dollie Mount Passenger Side (1992 to Current)	
546-05008-00	Ring & Chain	
526-05014-08	Crank Handle	
020-10006-01	Dollie Brace	



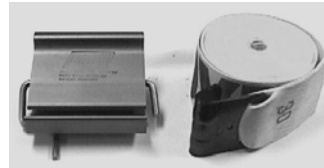
UNIQUE TO PLATFORM TRAILER

PART NO.	ITEM	NEW SECUREMENT ITEMS
----------	------	----------------------

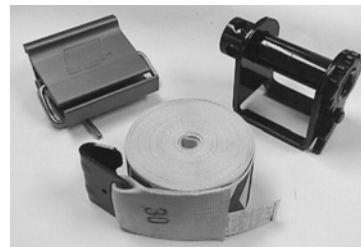
090-10182-00 Extruded Removable Chain Tie Down



090-30050-00 Sliding Winch Strap Holder
569-25400-11 30' x 4" Winch Load Strap



569-25400-11 30' x 4" Winch Load Strap
090-30050-00 Sliding Winch Strap Holder (item A)
569-25382-00 Sliding Winch (East slider rail)
569-25708-11 Chrome Winch Bar



PART NO.	ITEM	SECUREMENT ITEMS
----------	------	------------------

569-25182-11 Double "L" Sliding Winch
569-25400-11 4" x 30' Load Strap
569-25708-11 Chrome Winch Bar
557-05067-04 45' Double "L" Winch Track
557-05054-02 Winch Track Hanger

UNIQUE TO UNLOADER TRAILERS

PART NO.	ITEM	CROSS TUBE PARTS
066-10035-00	Upper Cross Tube Mounting Bracket	
066-10036-00	Lower Cross Tube Mounting Bracket	
066-10043-03	84" Cross Tube (96" wide trailer)	
066-10043-04	90" Cross Tube (102" wide trailer)	

PART NO.	ITEM	BULKHEAD PARTS
060-30018-03	Bulkhead Catwalk w/ Rail	
564-05020-00	1 1/4" Gray Ladder Grip (2 per ladder)	
065-30005-00	Bulkhead Ladder	
066-10063-00	Inner Ladder Mounting Gusset	
066-10063-01	Outer Ladder Mounting Gusset	
066-20014-00	Bulkhead Hydraulic Mounting Plate (2 fittings)	
558-05105-00	Cast Aluminum Tarp Hooks	
065-30006-20	Double Hydraulic Hose Hanger	
066-20026-01	Front Bulkhead Deflector Plate (96" wide trailer)	
066-20026-02	Front Bulkhead Deflector Plate (102" wide trailer)	

PART NO.	ITEM	FIFTH-WHEEL PARTS
066-30014-01	Complete Fifth-Wheel Plate Assembly (96" wide trailer)	
066-30014-02	Complete Fifth-Wheel Plate Assembly (102" wide trailer)	

PART NO.	ITEM	LANDING GEAR PARTS
066-10001-00	Landing Gear Mounting Bracket	
066-10038-00	Landing Gear Mounting Bracket Gusset (5 per bkt.)	
066-10087-01	Landing Gear Cross Brace (96" wide trailer)	
066-10087-02	Landing Gear Cross Brace (102" wide trailer)	
066-10104-01	Landing Gear Crossmember (96" wide trailer)	
066-10104-02	Landing Gear Crossmember (102" wide trailer)	

PART NO.	ITEM	TAILGATE PARTS
558-05130-00	Cast Aluminum Steps	
566-05005-00	Tailgate Pin	
044-20044-00	Mid Mount Hook & Latch Assembly	
044-20003-40	Door Retainer Chain	
044-20042-00	Door Guide Assembly	
066-20035-00	Mech. Gate Hardware Bar Sub-Assy. (Hinges Driver Side)	
066-20035-01	Mech. Gate Hardware Bar Sub-Assy. (Hinges Pass. Side)	
066-20036-00	Mech. Gate Hardware Handle Assy. (Hinges Driver Side)	
066-20036-01	Mech. Gate Hardware Handle Assy. (Hinges Pass. Side)	
066-20038-00	.625 x 95" Pocket Linkage Rod Assembly	
066-20038-02	.625 x 82" Pocket Linkage Rod Assembly	
066-20038-04	.625 x 98" Pocket Linkage Rod Assembly	
066-20038-05	.625 x 101" Pocket Linkage Rod Assembly	
066-20039-01	.75 x 100" Floor Linkage Rod Assembly	
066-20039-01	.75 x 112" Floor Linkage Rod Assembly	

UNIQUE TO TIPPER TRAILERS

PART NO.	ITEM	CROSS TUBE PARTS
066-10035-00	Upper Cross Tube Mounting Bracket	
066-10036-00	Lower Cross Tube Mounting Bracket	
066-10043-03	84" Cross Tube (96" wide trailer)	
066-10043-04	90" Cross Tube (102" wide trailer)	

PART NO.	ITEM	BULKHEAD PARTS
060-30018-03	Bulkhead Catwalk w/ Rail	
564-05020-00	1 1/4" Gray Ladder Grip (2 per ladder)	
065-30005-00	Bulkhead Ladder	
066-10063-00	Inner Ladder Mounting Gusset	
066-10063-01	Outer Ladder Mounting Gusset	
558-05105-00	Cast Aluminum Tarp Hooks	
558-05130-00	Cast Weld-On Step	

PART NO.	ITEM	FIFTH-WHEEL PARTS
069-30003-00	Tipper Hat-Box Fifth Wheel Assembly	

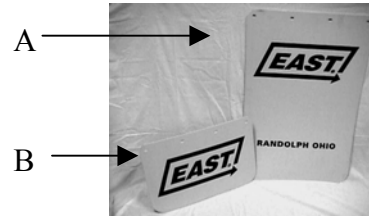
PART NO.	ITEM	LANDING GEAR PARTS
066-10001-00	Landing Gear Mounting Bracket	
066-10038-00	Landing Gear Mounting Bracket Gusset (5 per bkt.)	
066-10087-01	Landing Gear Cross Brace (96" wide trailer)	
066-10087-02	Landing Gear Cross Brace (102" wide trailer)	
066-10104-01	Landing Gear Crossmember (96" wide trailer)	
066-10104-02	Landing Gear Crossmember (102" wide trailer)	

PART NO.	ITEM	TAILGATE PARTS
069-10033-00	45 Degree Mud Flap Bracket	
566-05005-00	Tailgate Pin	
044-20044-00	Mid Mount Hook & Latch Assembly	
044-20003-40	Door Retainer Chain	
044-20042-00	Door Guide Assembly	
066-20035-00	Mech. Gate Hardware Bar Sub-Assy. (Hinges Driver Side)	
066-20035-01	Mech. Gate Hardware Bar Sub-Assy. (Hinges Pass. Side)	
066-20036-00	Mech. Gate Hardware Handle Assy. (Hinges Driver Side)	
066-20036-01	Mech. Gate Hardware Handle Assy. (Hinges Pass. Side)	
066-20038-00	.625 x 95" Pocket Linkage Rod Assembly	
066-20038-02	.625 x 82" Pocket Linkage Rod Assembly	
066-20038-04	.625 x 98" Pocket Linkage Rod Assembly	
066-20038-05	.625 x 101" Pocket Linkage Rod Assembly	
066-20039-01	.75 x 100" Floor Linkage Rod Assembly	
066-20039-01	.75 x 112" Floor Linkage Rod Assembly	
069-20004-00	100" Gate In Gate Ladder	
069-10012-00	Outer Gate Winder Plate (gate in gate)	

MUD FLAPS

PART NO.	ITEM	PLASTIC MUD FLAPS
-----------------	-------------	--------------------------

- 532-05318-20** 24"w x 18"L Plastic Mud Flap (**item A**)
- 532-05336-20** 24"w x 38"L Plastic Mud Flap (**item B**)
- 041-10002-00** Mud Flap Strap



PART NO.	ITEM	RUBBER MUD FLAPS
-----------------	-------------	-------------------------

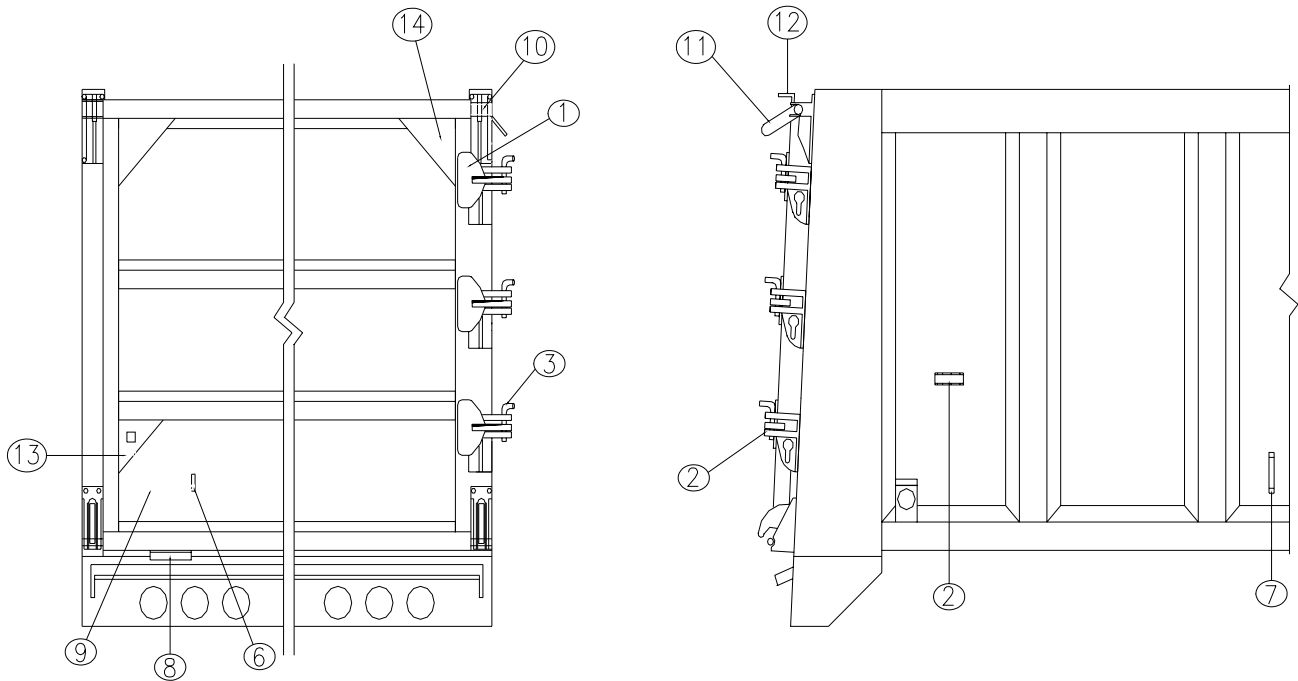
- 532-05018-20** 12"w x 18"L Bulkhead Rubber Mud Flap
- 532-05010-20** 24"w x 10"L Rubber Mud Flap (Front Body Fenders)
- 532-05016-20** 24"w x 16"L Rubber Mud Flap (Half Fenders/Front of Tandem Axles)
- 532-05030-20** 24"w x 30"L Rubber Mud Flap
- 532-05036-20** 24"w x 36"L Rubber Mud Flap (Frameless/Straight Trucks)
- 532-05042-20** 24"w x 42"L Rubber Mud Flaps (Frame Type Trailers)
- 041-10002-00** Aluminum Mud Flap Strap
- 041-20003-00** Aluminum Mud Flap Strap W/Hook

- 532-05436-20** 42"w x 36"L Rubber Center Mud Flap
- 010-10118-00** Center Mud Flap Bracket
- 010-10118-01** Center Mud Flap Strap 42" L





HARDWARE KITS



CAST ALUMINUM TAILGATE SIDE SWING KIT

PARTS LISTING

ITEM	PART NUMBER	DESCRIPTION
1	558-05171-00	GATE HINGE
2	558-05172-00	BODY HINGE
3	566-15010-00	3/4" HINGE PIN
NOT SHOWN	542-09032-03	3/16" SAFETY CLIP
5	044-10028-04	SIDE SWING PIN HOLDER
6	558-05105-00	ALUMINUM TARP HOOK
7	557-05027-01	KEYHOLE CHAIN LUG
8	044-20042-00	GATE GUIDE ASSEMBLY
9	044-20003-40	40" SPREADER CHAIN
10	566-05007-00	THREADED TOP PIN
11	044-20030-00	THREADED NUT/ HANDLE
12	566-15012-00	5/8" SIDE SWING PIN
13	044-10004-00	GUSSET (with hole)
14	044-10005-00	GUSSET (less hole)

NOTE: The above represents where the components are located on a dump trailer after side swing kit is installed.

EAST HARDWARE KITS

CAST ALUMINUM TAILGATE SIDE SWING KITS

KIT PART NUMBER 099-30820-03

PART NO	QTY.	DESCRIPTION
558-05171-00	3	Gate Hinge
558-05172-00	3	Body Hinge
044-10004-00	1	Gusset (with hole)
044-10005-00	2	Gusset (without hole)
044-20030-00	1	Nut & Handle
566-05007-00	1	Threaded Top Pin
540-01000-08	3	1/2-20 Hex Nut
540-02000-08	3	1/2 SAE Flat Washer
540-03000-08	3	1/2 Lock Washer
566-15012-00	2	5/8" Side Swing Pin

CAST ALUMINUM 3 HINGE KIT

PART NO	QTY.	DESCRIPTION
540-05015-08	1	1/2" X 1 1/2" SAE BOLT
044-20003-40	1	40" Spreader Chain
540-05045-08	2	1/2-20 x 4 1/2" CS Bolt
542-09032-03	6	3/16" Pin Safety Clip
044-20042-00	1	Gate Guide Assembly
566-15010-00	3	3/4" Side Swing Pin
557-05027-01	1	Key Hole Chain Lug
558-05105-00	1	Tarp Hook
044-10028-04	1	Hinge Pin Holder

KIT PART NUMBER 099-30820-04

PART NO	QTY.	DESCRIPTION
558-05171-00	4	Gate Hinge
558-05172-00	4	Body Hinge
044-10004-00	1	Gusset (with hole)
044-10005-00	2	Gusset (without hole)
044-20030-00	1	Nut & Handle
566-05007-00	1	Threaded Top Pin
540-01000-08	3	1/2-20 Hex Nut
540-02000-08	3	1/2 SAE Flat Washer
540-03000-08	3	1/2 Lock Washer
566-15012-00	2	5/8" Side Swing Pin

CAST ALUMINUM 4 HINGE KIT

PART NO	QTY.	DESCRIPTION
540-05015-08	1	1/2" X 1 1/2" SAE BOLT
044-20003-40	1	40" Spreader Chain
540-05045-08	2	1/2-20 x 4 1/2" CS Bolt
542-09032-03	7	3/16" Pin Safety Clip
044-20042-00	1	Gate Guide Assembly
566-15010-00	4	3/4" Side Swing Pin
557-05027-01	1	Key Hole Chain Lug
558-05105-00	1	Tarp Hook
044-10028-04	1	Hinge Pin Holder

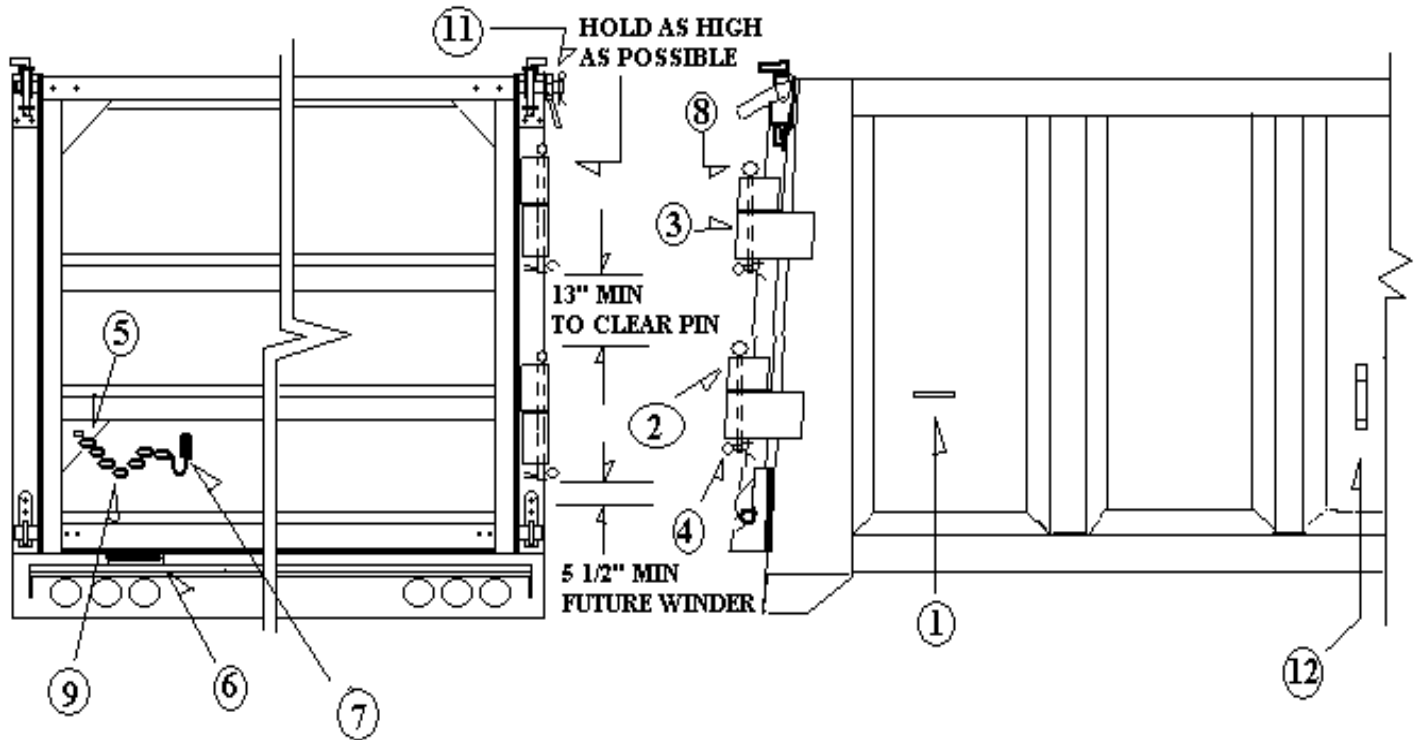
KIT PART NUMBER 099-30820-05

PART NO	QTY.	DESCRIPTION
558-05171-00	5	Gate Hinge
558-05172-00	5	Body Hinge
044-10004-00	2	Gusset (with hole)
044-10005-00	2	Gusset (without hole)
044-20030-00	1	Nut & Handle
566-05007-00	1	Threaded Top Pin
540-01000-08	3	1/2-20 Hex Nut
540-02000-08	3	1/2 SAE Flat Washer
540-03000-08	3	1/2 Lock Washer
566-15012-00	2	5/8" Side Swing Pin

CAST ALUMINUM 5 HINGE KIT

PART NO	QTY.	DESCRIPTION
540-05015-08	1	1/2" X 1 1/2" SAE BOLT
044-20003-40	1	40" Spreader Chain
540-05045-08	2	1/2-20 x 4 1/2" CS Bolt
542-09032-03	8	3/16" Pin Safety Clip
044-20042-00	1	Gate Guide Assembly
566-15010-00	5	3/4" Side Swing Pin
557-05027-01	1	Key Hole Chain Lug
558-05105-00	1	Tarp Hook
044-10028-04	1	Hinge Pin Holder

Note: Use Part Number 558-05173-00 in place of 558-05172-00 when door is to open to driver side.



EXTRUDED ALUMINUM SIDE SWING KIT
(STANDARD TOP HARDWARE)
PARTS LISTING

ITEM	PART NUMBER	DESCRIPTION
1	044-10028-02	Side Swing Pin Holder
2	044-20032-00	Extruded Side Swing Hinge (gate)
3	044-20031-00	Extruded Side Swing Hinge (body)
4	542-09032-03	3/16" Pin Safety Clip
5	044-10004-00	Aluminum Tailgate Gusset (with hole)
6	044-20042-00	Gate Guide Assembly
7	558-05105-00	Cast Aluminum Tarp Hook
8	566-15010-02	12" x 3/4" Side Swing Pin
9	044-20003-00	40" Spreader Chain
10	566-05007-00	Threaded Top Tailgate Pin
11	044-20030-00	Threaded Top Nut & Handle
12	557-05027-01	Aluminum Chain Keyhole

Note: The above schematic represents the location of components on a tailgate after the side swing kit is installed.

EAST HARDWARE KITS

EXTRUDED ALUMINUM TAILGATE SIDE SWING KITS

KIT PART NUMBER 099-30820-22 (STANDARD TOP HARDWARE)

EXTRUDED ALUMINUM 2 HINGE KIT

PART NUMBER	QTY.	DESCRIPTION
044-20031-00	2	Extruded Side Swinge Hinge (Body)
044-20032-00	2	Extruded Side Swing Hinge (Gate)
566-15010-02	2	3/4" x 12" Side Swing Hinge Pin
542-09032-03	5	3/16" Safety Clip
545-05016-08	2	1.50 x .851 x 1/4" Shim Washer
566-15012-00	2	5/8" 90 deg. Top Hardware Pin
566-05007-00	1	Threaded Top Pin
044-20030-00	1	Threaded Pin Nut & Handle
044-20042-00	1	Gate Guide Assembly
557-05027-01	1	Extruded Chain Keyhole Lug
044-10004-00	1	Tailgate Gusset with Hole
044-10005-00	1	Tailgate Gusset without Hole
044-10028-02	1	Side Swing Pin Holder
044-20003-40	1	40" Spreader Chain
540-01000-08	3	1/2"-20 Hex Nut
540-02000-08	3	1/2" Flat Washer
540-03000-08	3	1/2" Lock Washer
540-05015-08	3	1/2" x 1 1/2" SAE Bolt
540-05045-08	2	1/2-20 x 4 1/2" Countersunk bolt
558-05105-00	1	Aluminum Cast Tarp Hook

KIT PART NUMBER 099-30820-23 (STANDARD TOP HARDWARE)

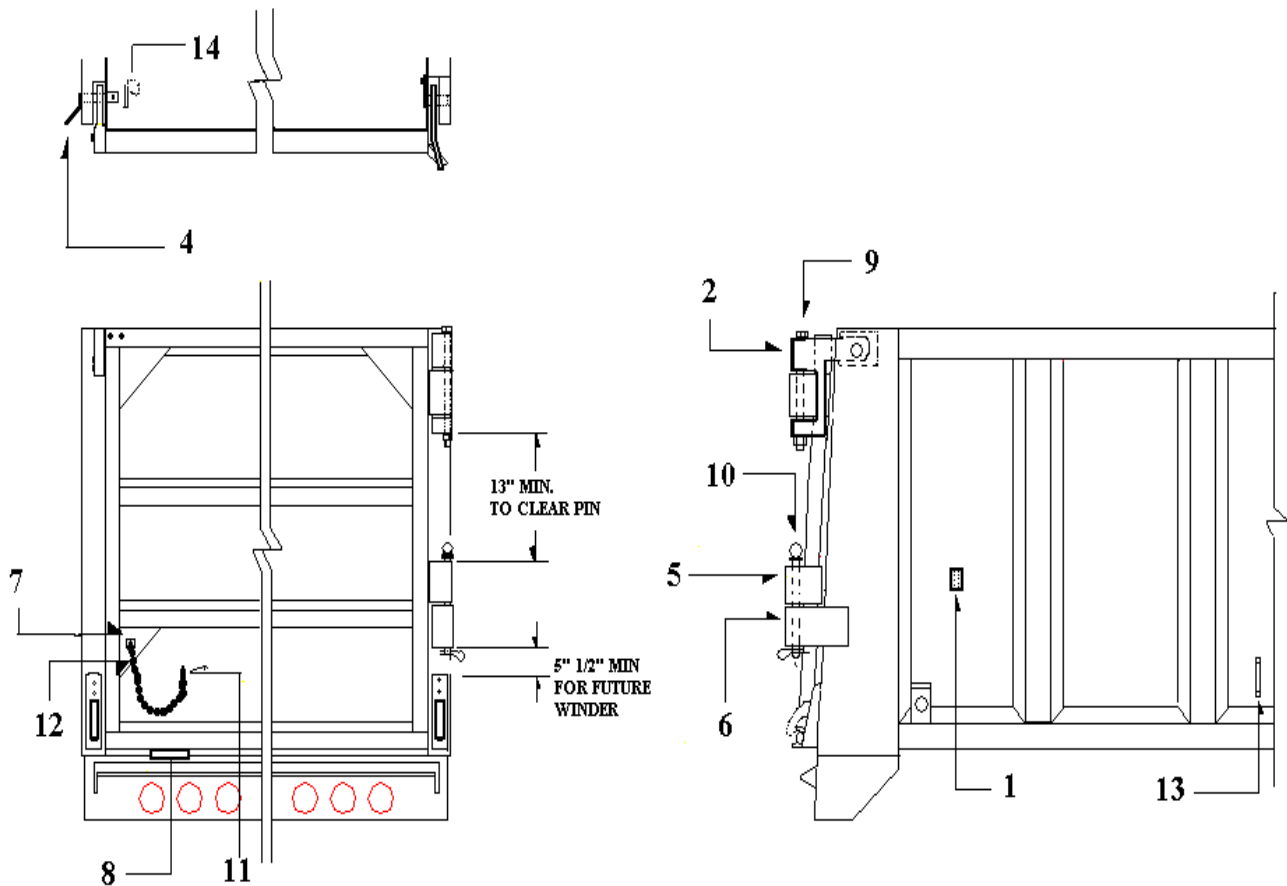
EXTRUDED ALUMINUM 3 HINGE KIT

PART NUMBER	QTY.	DESCRIPTION
044-20031-00	3	Extruded Side Swinge Hinge (Body)
044-20032-00	3	Extruded Side Swing Hinge (Gate)
566-15010-02	3	3/4" x 12" Side Swing Hinge Pin
542-09032-03	6	3/16" Safety Clip
545-05016-08	3	1.50 x .851 x 1/4" Shim Washer
566-15012-00	2	5/8" 90 deg. Top Hardware Pin
566-05007-00	1	Threaded Top Pin
044-20030-00	1	Threaded Pin Nut & Handle
044-20042-00	1	Gate Guide Assembly
557-05027-01	1	Extruded Chain Keyhole Lug
044-10004-00	1	Tailgate Gusset with Hole
044-10005-00	2	Tailgate Gusset without Hole
044-10028-04	1	Side Swing Pin Holder
044-20003-40	1	40" Spreader Chain
540-01000-08	3	1/2"-20 Hex Nut
540-02000-08	3	1/2" Flat Washer
540-03000-08	3	1/2" Lock Washer
540-05015-08	3	1/2" x 1 1/2" SAE Bolt
540-05045-08	2	1/2-20 x 4 1/2" Countersunk bolt
558-05105-00	1	Aluminum Cast Tarp Hook

EXTRUDED TAILGATE SIDE SWING KIT

(OVER-SLUNG TOP HINGE) PARTS LISTING

ITEM	PART NUMBER	DESCRIPTION
1	044-10028-02	Single Pin Holder
2	552-05006-03	RH Steel Cast Over-Slung Two Hinge
3	542-09032-03	3/16" Safety Clip
4	044-20043-00	Over Slung Pin Assembly
5	044-20032-00	Extruded Side Swing Hinge (gate)
6	044-20031-00	Extruded Side Swing Hinge (body)
7	044-10004-00	Gusset With Hole
8	044-20042-00	Tailgate Guide Assembly
9	540-05150-12	3/4" - 10 x 15" Bolt
10	566-15010-02	3/4" x 12" Side Swing Hinge Pin
11	558-05105-00	Cast Aluminum Tarp Hook
12	044-20003-40	40" Spreader Chain
13	557-05027-01	Chain Keyhole Lug
14	044-20044-00	Lynch Safety Pin-Clip Assembly



EAST HARDWARE KITS

EXTRUDED TAILGATE SIDE SWING KITS

KIT PART NUMBER 099-30820-32 EXTRUDED OVERSLUNG 2 HINGE KIT
(OVERSLUNG TOP HARDWARE - TWO WAY SWING HINGE)

PART NO	QTY.	DESCRIPTION
044-20031-00	1	Extruded Side Swing Hinge (body side)
044-20032-00	2	Extruded Side Swing Hinge (gate side)
552-05006-03	1	Two Way Swing RH OverSlung Hinge
540-05150-12	1	3/4" - 10 x 15" Bolt
540-11000-12	2	3/4" - 10 Hex Nut
566-15010-02	1	3/4" x 12" Side Swing hinge Pin
044-20043-00	1	OverSlung Top Pin Assembly
044-20044-00	1	Lynch Safety Pin
044-10004-00	1	Tailgate Gusset with Hole
044-10028-02	1	Side Swing Pin Holder
044-20003-40	1	40" Spreader Chain
558-05105-00	1	Cast Aluminum Tarp Hook
542-09032-03	1	3/16" Safety Clip
044-20042-00	1	Gate Guide Assembly
557-05027-01	1	Extruded Chain Keyhole Lug
044-10005-00	2	Tailgate Gusset Without Hole

EAST HARDWARE KITS

EAST KIT PART NUMBER 099-30850-01

SLIDING FIFTHWHEEL LOCKING KIT

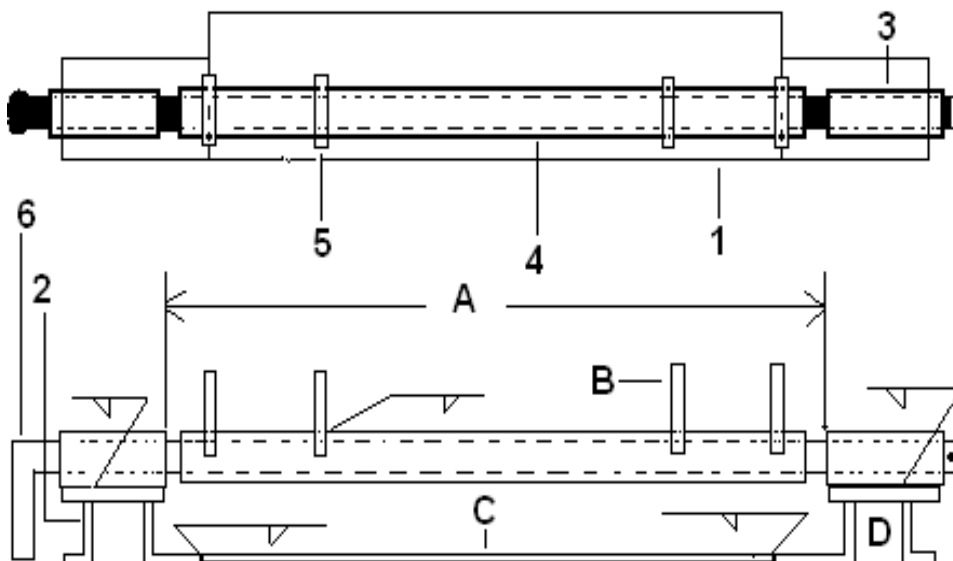
PARTS LISTING

PART NUMBER	QTY	DESCRIPTION
099-10754-00	4	SLIDER UNDERSIDE 5TH WHL GUSSET
099-10754-01	1	2"OD X 7/32" WALL X 24.5" TUBE
099-10754-02	2	2"OD X 7/32" WALL X 5" TUBES
099-10754-03	1	SLIDER BLOCK MOUNTING PLATE
099-20749-00	1	LOCKING BAR / HANDLE ASSEMBLY
099-20750-02	2	SLIDER BLOCK ASSEMBLY
542-06002-00	1	#12 X 3/4" TEK SCREW
542-09032-03	1	3/16" X 3 1/4" LONG SAFETY HAIR PIN CLIP
543-05007-00	6"	FIXTURE CHAIN
545-05002-00	1	2.5"OD X 1.5"ID X .25" THK WASHER

- 1 - 099-10754-03 MOUNTING PLATE
- 2 - 099-20750-02 PEDESTAL MOUNTING ASSY.
- 3 - 099-10754-02 PEDESTAL TUBE
- 4 - 099-10754-01 CROSS TUBE
- 5 - 099-10754-00 BURN-OUT GUSSETS
- 6 - 099-20750-01 LOCKING PIN & HANDLE ASSY.

NOTES:

- A - DIMENSION TO ALLOW FIFTH WHEEL TILT CLEARANCE.
- B - GUSSETS TO BE WELDED UNDERSIDE OF FIFTH WHEEL.
- C - PLATE WELDED TO SLIDING FIFTH WHEEL ASSEMBLY.
- D - PEDESTAL MOUNTED OVER SLIDING FIFTH WHEEL TRACK.



EAST HARDWARE KITS



SPREADER CHAIN KIT KIT NO. 099-30817-00

Part No.	Qty.	Description	Part No.	Qty.	Description
044-20003-40	2	40" Spreader Chain	558-05105-00	2	Aluminum Tarp Hook
540-05015-08	2	1/2"-20 x 1 1/2" Bolt	044-10027-00	2	3/8" Aluminum Retainer Angles
540-01000-08	2	1/2"-20 Hex Nut	044-10005-00	2	Tailgate Gusset With Hole
540-02000-08	2	1/2" Flat Washer	557-05027-01	2	Aluminum Chain Keyhole
540-03000-08	2	1/2" Lock Washer	564-05021-00	2	Chain Rubber Cover

AIR LIFT AXLE CAB CONTROL KIT KIT NO. 099-30819-00

Part No.	Qty.	Description	Part No.	Qty.	Description
510-05025-16	1	1/2" Quick Coupler / Male	512-05690-64	1	1/4"P x 3/8"P 90 Deg Brass Fitting
510-05024-16	1	1/2" Quick Coupler / Female	512-15001-04	1	1/4"NPT x 1/2" Hose Connection
510-05005-00	1	Cover Plate / Lift Axle	512-15003-08	1	1/2"NPT x 1/2" Hose Connection
510-25953-02	1	1/4" Air Toggle Valve	547-05200-04	1	1/4"NPT Pipe Plug
511-99006-23	12'	3/8" Rubber Air Hose	510-05009-00	1	"Air Axle Lift" Plate
511-99607-00	30'	3/8" Green Plastic Airline	512-05690-62	1	1/8"P x 3/8"T 90 Deg Brass Fitting
512-05212-04	1	1/4" Anchor Coupling	512-05680-66	1	3/8"P x 3/8"T Straight Brass Fitting
512-05680-64	1	1/4"P x 3/8"T Straight Brass Fitting			

AIR SUSPENSION EXHAUST / FILL CAB CONTROL KIT KIT NO. 099-30819-01

Part No.	Qty.	Description	Part No.	Qty.	Description
510-05025-16	1	1/2" Quick Coupler / Male	512-05690-64	1	1/4"P x 3/8"P 90 Deg Brass Fitting
510-05024-16	1	1/2" Quick Coupler / Female	512-15001-04	1	1/4"NPT x 1/2" Hose Connection
510-05005-00	1	Cover Plate / Lift Axle	512-15003-08	1	1/2"NPT x 1/2" Hose Connection
510-25953-02	1	1/4" Air Toggle Valve	547-05200-04	1	1/4"NPT Pipe Plug
511-99006-23	12'	3/8" Rubber Air Hose	510-05009-00	1	"Air Suspension Dump" Plate
511-99607-00	30'	3/8" Green Plastic Airline	512-05690-62	1	1/8"P x 3/8"T 90 Deg Brass Fitting
512-05212-04	1	1/4" Anchor Coupling	512-05680-66	1	3/8"P x 3/8"T Straight Brass Fitting
512-05680-64	1	1/4"P x 3/8"T Straight Brass Fitting			

AIR GATE CAB CONTROL KIT KIT NO. 099-30819-02

Part No.	Qty.	Description	Part No.	Qty.	Description
510-05025-16	1	1/2" Quick Coupler / Male	512-05690-64	1	1/4"P x 3/8"P 90 Deg Brass Fitting
510-05024-16	1	1/2" Quick Coupler / Female	512-15001-04	1	1/4"NPT x 1/2" Hose Connection
510-05005-00	1	Cover Plate / Lift Axle	512-15003-08	1	1/2"NPT x 1/2" Hose Connection
510-25953-02	1	1/4" Air Toggle Valve	547-05200-04	1	1/4"NPT Pipe Plug
511-99006-23	12'	3/8" Rubber Air Hose	510-05009-00	1	"Air Gate" Plate
511-99607-00	30'	3/8" Yellow Plastic Airline	512-05690-62	1	1/8"P x 3/8"T 90 Deg Brass Fitting
512-05212-04	1	1/4" Anchor Coupling	512-05680-66	1	3/8"P x 3/8"T Straight Brass Fitting
512-05680-64	1	1/4"P x 3/8"T Straight Brass Fitting			

EAST HARDWARE KITS



SAFETY TAILGATE WINDER KIT (ALUMINUM TAILGATE) KIT NO. 099-30823-00

Part No.	Qty.	Description
566-15001-00	1	Winder Only
557-05088-01	1	Extruded Body Bracket
044-10168-00	1	Extruded Gate Bracket
566-15011-01	1	Removable Winder Pin
542-09032-03	2	3/16" Safety Clip

SAFETY TAILGATE WINDER KIT (STEEL TAILGATE) KIT NO. 099-30823-01

Part No.	Qty.	Description
566-15001-00	1	Winder Only
566-05075-00	1	Steel Pocket Bracket With Pin & Clip
553-05019-00	1	Steel Gate Bracket

OLD STYLE TAILGATE WATER-SEAL KIT (up to 1985) KIT NO. 099-30824-00

Part No.	Qty.	Description
044-10088-00	1	Water-Seal Plate
557-05019-01	1	16' Old Style Tarp Bar
559-05008-01	1	3/8" Aluminum Rod x 72"
559-05017-00	1	1" x 3/4" x .188 Aluminum Angle x 91"
564-05004-00	3	1" x 1 5/8" x 72" Water-Seal Foam
564-05033-00	1	Tube Sealant for Water-Seal Foam

NEW STYLE TAILGATE WATER-SEAL KIT (1985 TO PRESENT) KIT NO. 099-30824-01

Part No.	Qty.	Description
564-05005-00	1	Extruded Water-Seal Rubber
564-05033-00	1	Tube Sealant For Water-Seal Rubber
559-05020-01*		1" x 1" x 3/16" Aluminum Angle x 25'

* 2 pcs. 91"
1 pc 96"